

Technical data sheet

Product features



Cooking range electric

Model	SAP Code	00008586
--------------	-----------------	----------



- Device type: Electric unit
- Power consumption of the zone 1 [kW]: 2,6
- Power consumption of the zone 2 [kW]: 2,6
- Protection of controls: IP24
- Material: AISI 304 top plate and cladding

SAP Code	00008586	Power electric [kW]	5.200
Net Width [mm]	400	Loading	400 V / 3N - 50 Hz
Net Depth [mm]	730	Number of zones	2
Net Height [mm]	300	Power consumption of the zone 1 [kW]	2,6
Net Weight [kg]	23.60	Power consumption of the zone 2 [kW]	2,6

Technical data sheet

Technical drawing

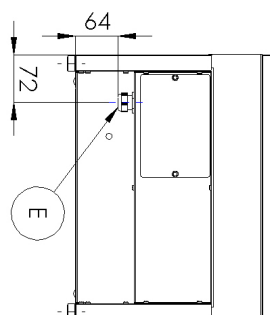
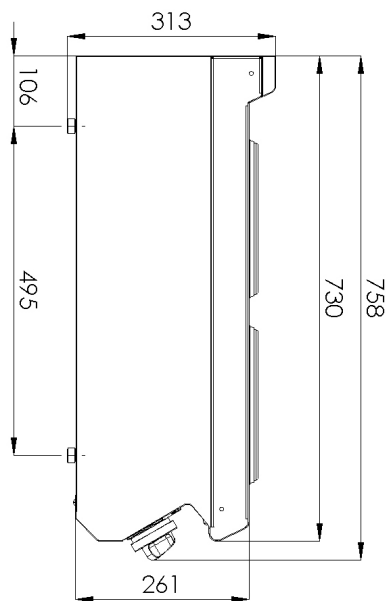
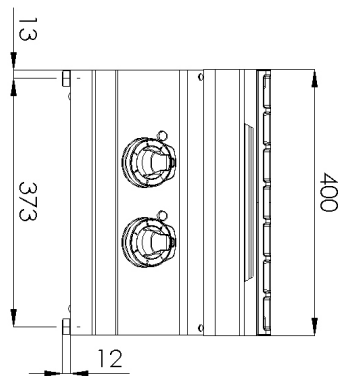


Cooking range electric

Model

SAP Code

00008586



Technical data sheet

Technical parameters



Cooking range electric

Model

SAP Code

00008586

1. SAP Code:

00008586

2. Net Width [mm]:

400

3. Net Depth [mm]:

730

4. Net Height [mm]:

300

5. Net Weight [kg]:

23.60

6. Gross Width [mm]:

440

7. Gross depth [mm]:

800

8. Gross Height [mm]:

480

9. Gross Weight [kg]:

28.50

10. Device type:

Electric unit

11. Construction type of device:

Table top

12. Power electric [kW]:

5.200

13. Loading:

400 V / 3N - 50 Hz

14. Protection of controls:

IP24

15. Device color:

Stainless steel

16. Material:

AISI 304 top plate and cladding

17. Indicators:

operation

18. Worktop type:

Molded - comfortable cleaning maintenance

19. Worktop material:

AISI 304

20. Number of zones:

2

21. Power consumption of the zone 1 [kW]:

2,6

22. Power consumption of the zone 2 [kW]:

2,6

23. Maximum device temperature [°C]:

400

24. Minimum device temperature [°C]:

50

25. Service accessibility:

Trough the frontal panel

26. Number of burners/hot plates:

2

27. Type of electric cooking zones:

Oval